

Pressure gauge

with liquid filling series 2750

case dim 63 mm

E 02.05.01

Ed.17.01

Application	Industrial pressure gauge with liquid filling. Intended where pulsation or vibration exists. Suitable for media that will not attack copper alloy parts
Design	EN 837-1
Series	Serie 2750
WIKA model	213.53
Case size	Nominal size dim 63mm. Option with case dim 50 mm
Accuracy	Class 1,6%
Case	Stainless steel with bayonet ring
Window	PMMA-plastic
Pressure element	Copper alloy
Movement	Copper alloy
Dial	Aluminium, white with black lettering
Pressure unit	Bar, bar/Pascal or bar/psi
Pressure connection	G1/4" male
Case filling	Glycerine 99,7%
Mounting	Lower or back mount, also with back flange, front flange or triangular bezel with clamp
Ingress protection	IP 65 acc.to EN 60529/IEC 529
Pressure limitation	75% of full scale value by steady pressure 66% of full scale value by fluctuating pressure By short time pressure full scale value
Permissible temperature	Medium temperature max -20 till +60°C Ambient temperature max -20 till +60° C
Certificates	Certificate can be delivered as options Inspection certificate wetted parts EN 10204-2.2 Inspection certificate wetted parts EN 10204-3.1B



2750
Lower mount



2751
Back mount



2754
Lower mount
clamp



2755
Lower mount
back flange



2757
Back mount
front flange



2758
Back mount
bezel and clamp

Pressure gauge

with liquid filling series 2750

case dim 63 mm

E 02.05.01



Pressure range	Interval	Divisions
0-0,6 bar	0,02	30
0-1 bar	0,05	20
0-1,6 bar	0,05	32
0-2,5 bar	0,1	25
0-4 bar	0,2	20
0-6 bar	0,2	30
0-10 bar	0,5	20
0-16 bar	0,5	32
0-25 bar	1,0	25
0-40 bar	2,0	20
0-60 bar	2,0	30
0-100 bar	5,0	20
0-160 bar	5,0	32
0-250 bar	10,0	25
0-400 bar	20,0	20
0-600 bar	20,0	39
0-1000 bar	50,0	50
-1/0 bar	0,05	20
-1/+1,5 bar	0,1	25
-1/+3 bar	0,2	20
-1/+5 bar	0,2	30
-1/+9 bar	0,5	20
-1/+15 bar	0,5	32
-1/+24 bar	1,0	25

Accuracy

Max permissible error 1,6%

The accuracy is expressed as a percentage of full scale range. Permissible error 1,6% will cover 0% till 100% of scale range with a reference temperature of +20°C.

Ex. Pressure range 0-10 bar has an error of $\pm 0,16$ bar

Temperature effect

Temperature of the measuring system over or under the reference temperature +20°C will effect the accuracy with 0,4 percentage per +10°C. With a medium temperature of +40°C the accuracy will be $\pm 2,4\%$.

Special design

Filling below -20°C

Special filling for temperature range to -40°C.
Glycerine 65%/Dest.water 35%.










Pressure gauge

with liquid filling series 2750
case dim 63 mm

E 02.05.01

Design with single scale bar - case dim 63 mm

							
		 2750	 2751	 2754	 2755	 2757	 2758
Conn.	Range	Lower	Back	Clamp	Back flange	Front flange	Clamp
G1/4	0-0,6 bar	27501901	27511901	27541901	27551901	27571901	27581901
G1/4	0-1 bar	27501902	27511902	27541902	27551902	27571902	27581902
G1/4	0-1,6 bar	27501903	27511903	27541903	27551903	27571903	27581903
G1/4	0-2,5 bar	27501904	27511904	27541904	27551904	27571904	27581904
G1/4	0-4 bar	27501906	27511906	27541906	27551906	27571906	27581906
G1/4	0-6 bar	27501907	27511907	27541907	27551907	27571907	27581907
G1/4	0-10 bar	27501908	27511908	27541908	27551908	27571908	27581908
G1/4	0-16 bar	27501911	27511911	27541911	27551911	27571911	27581911
G1/4	0-25 bar	27501913	27511913	27541913	27551913	27571913	27581913
G1/4	0-40 bar	27501915	27511915	27541915	27551915	27571915	27581915
G1/4	0-60 bar	27501917	27511917	27541917	27551917	27571917	27581917
G1/4	0-100 bar	27501919	27511919	27541919	27551919	27571919	27581919
G1/4	0-160 bar	27501920	27511920	27541920	27551920	27571920	27581920
G1/4	0-250 bar	27501922	27511922	27541922	27551922	27571922	27581922
G1/4	0-400 bar	27501924	27511924	27541924	27551924	27571924	27581924
G1/4	0-600 bar	27501925	27511925	27541925	27551925	27571925	27581925
G1/4	0-1000 bar	27501926	27511926	27541926	27551926	27571926	27581926
G1/4	-1/0 bar	27501940	27511940	27541940	27551940	27571940	27581940
G1/4	-1/+1,5 bar	27501966	27511966	27541966	27551966	27571966	27581966
G1/4	-1/+3 bar	27501967	27511967	27541967	27551967	27571967	27581967
G1/4	-1/+5 bar	27501968	27511968	27541968	27551968	27571968	27581968
G1/4	-1/+9 bar	27501969	27511969	27541969	27551969	27571969	27581968
G1/4	-1/+15 bar	27501971	27511971	27541971	27551971	27571971	27581971







Pressure gauge

with liquid filling series 2750

case dim 63 mm

E 02.05.01

Design with dual scale bar and Pascal - case dim 63 mm

							
		2750	2751	2754	2755	2757	2758
Conn.	Tange	Lower	Back	Clamp	Back flange	Front flange	Clamp
G1/4	0-0,6 bar/kPa	27502001	x	27542001	27552001	x	x
G1/4	0-1 bar/kPa	x	x	x	x	x	x
G1/4	0-1,6 bar/kPa	x	x	x	x	x	x
G1/4	0-2,5 bar/kPa	27502004	27512004	27542004	27552004	27572004	27582004
G1/4	0-4 bar/kPa	27502006	27512006	27542006	27552006	27572006	27582006
G1/4	0-6 bar/kPa	27502007	27512007	27542007	27552007	27572007	27582007
G1/4	0-10 bar/MPa	27502008	27512008	27542008	27552008	27572008	27582008
G1/4	0-16 bar/MPa	27502011	x	27542011	27552011	x	x
G1/4	0-25 bar/MPa	27502013	x	27542013	27552013	x	x
G1/4	0-40 bar/MPa	27502015	x	27542015	27552015	x	x
G1/4	0-60 bar/MPa	27502017	x	27542017	27552017	27572017	x
G1/4	0-100 bar/MPa	27502019	x	27542019	27552019	27572019	x
G1/4	0-160 bar/MPa	27502020	x	27542020	27552020	27572020	x
G1/4	0-250 bar/MPa	27502022	x	27542022	27552022	27572022	27582022
G1/4	0-400 bar/MPa	27502024	x	27542024	27552024	27572024	x
G1/4	0-600 bar/MPa	27502025	x	27542025	27552025	x	x
G1/4	0-1000 bar/MPa	27502026	x	27542026	27552026	x	x
G1/4	-1/0 bar/kPa	x	x	x	x	x	x
G1/4	-1/+1,5 bar/kPa	x	x	x	x	x	x
G1/4	-1/+3 bar/kPa	x	x	x	x	x	x
G1/4	-1/+5 bar/kPa	x	x	x	x	x	x
G1/4	-1/+9 bar/kPa	x	x	x	x	x	x
G1/4	-1/+15 bar/kPa	x	x	x	x	x	x








Pressure ranges marked with x only as special option

Pressure gauge

with liquid filling series 2750
case dim 63 mm

E 02.05.01

Design with dual scale bar and psi - case dim 63 mm

							
Conn.	Range	Lower	Back	Clamp	Back flange	Front flange	Clamp
G1/4	0-0,6 bar/psi	27502101	27512101	27542101	27552101	27572101	27582101
G1/4	0-1 bar/psi	27502102	27512102	27542102	27552102	27572102	27582102
G1/4	0-1,6 bar/psi	27502103	27512103	27542103	27552103	27572103	27582103
G1/4	0-2,5 bar/psi	27502104	27512104	27542104	27552104	27572104	27582104
G1/4	0-4 bar/psi	27502106	27512106	27542106	27552106	27572106	27582106
G1/4	0-6 bar/psi	27502107	27512107	27542107	27552107	27572107	27582107
G1/4	0-10 bar/psi	27502108	27512108	27542108	27552108	27572108	27582108
G1/4	0-16 bar/psi	27502111	27512111	27542111	27552111	27572111	27582111
G1/4	0-25 bar/psi	27502113	27512113	27542113	27552113	27572113	27582113
G1/4	0-40 bar/psi	27502115	27512115	27542115	27552115	27572115	27582115
G1/4	0-60 bar/psi	27502117	27512117	27542117	27552117	27572117	27582117
G1/4	0-100 bar/psi	27502119	27512119	27542119	27552119	27572119	27582119
G1/4	0-160 bar/psi	27502120	27512120	27542120	27552120	27572120	27582120
G1/4	0-250 bar/psi	27502122	27512122	27542122	27552122	27572122	27582122
G1/4	0-400 bar/psi	27502124	27512124	27542124	27552124	27572124	27582124
G1/4	0-600 bar/psi	27502125	27512125	27542125	27552125	27572125	27582125
G1/4	0-1000 bar/psi	27502126	27512126	27542126	27552126	27572126	27582126
G1/4	-1/0 bar/psi	27502140	27512140	27542140	27552140	27572140	27582140
G1/4	-1/+1,5 bar/psi	27502166	27512166	27542166	27552166	27572166	27582166
G1/4	-1/+3 bar/psi	27502167	27512167	27542167	27552167	27572167	27582167
G1/4	-1/+5 bar/psi	27502168	27512168	27542168	27552168	27572168	27582168
G1/4	-1/+9 bar/psi	27502169	27512169	27542169	27552169	27572169	27582168
G1/4	-1/+15 bar/psi	27502171	27512171	27542171	27552171	27572171	27582171

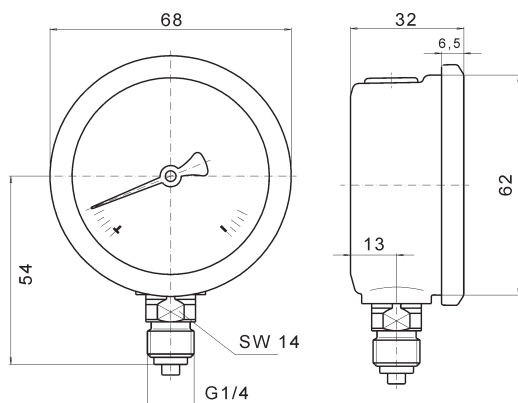
Pressure ranges marked with x only as special option

Pressure gauge

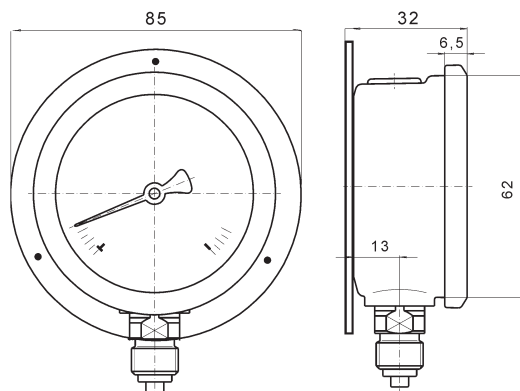
with liquid filling series 2750
case dim 63 mm

E 02.05.01

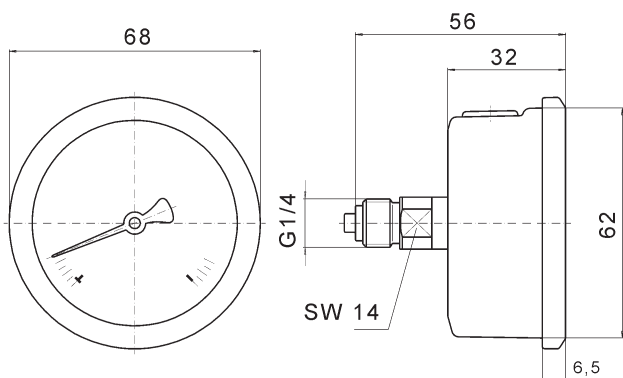
2750



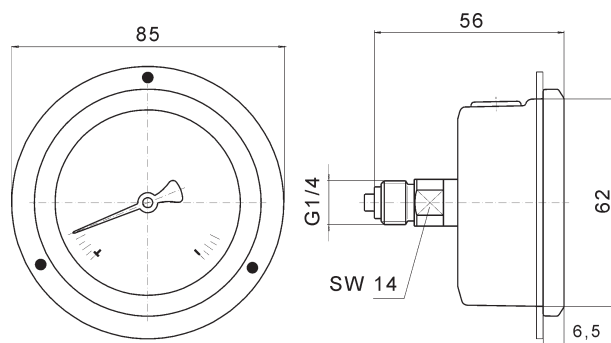
2755



2751



2757



2758

